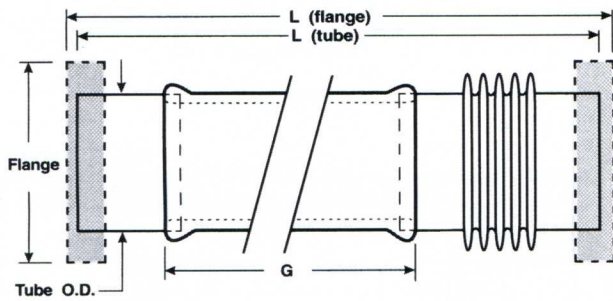


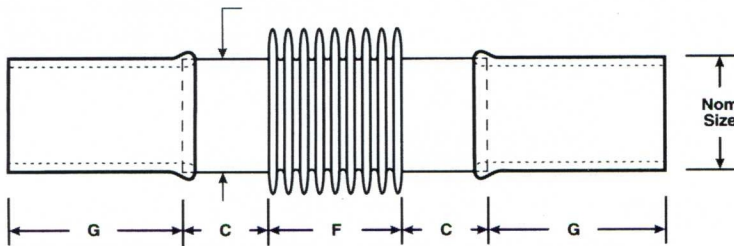
Bellows-to-Glass Adaptors

G _____ Flange _____
 F _____ Nom. size _____
 C1 _____ Tube O.D. _____
 C2 _____



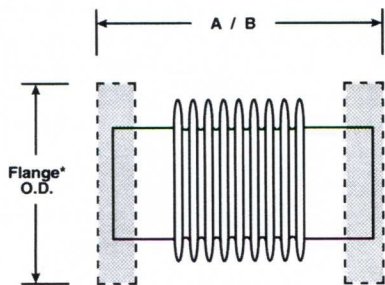
Double Ended Glass Adaptors with Bellows

Flange _____ L (tube) _____
 Tube O.D. _____ L (flange) _____
 G _____



Bellows-to-Glass at Both Ends

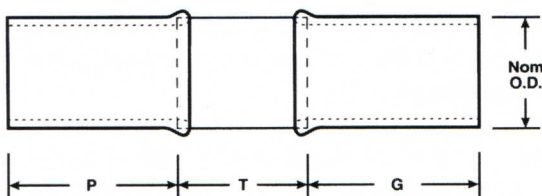
Nom. size _____ C _____
 G _____ F _____



**Stainless Steel Bellows/
Flexible Couplings**

Flange O.D. _____ A/B _____

*C.F. Type (only) Rotatable at one end.



**Glass-to-Glass,
with or without Transition**

Refer to pages 40-41
for standard product listings

Nom O.D. _____ T _____
 P _____ G _____