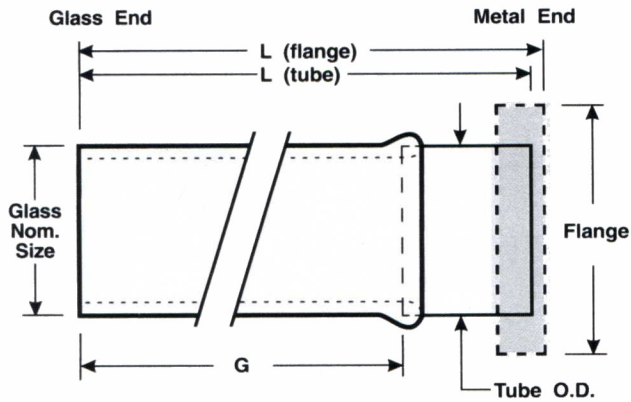


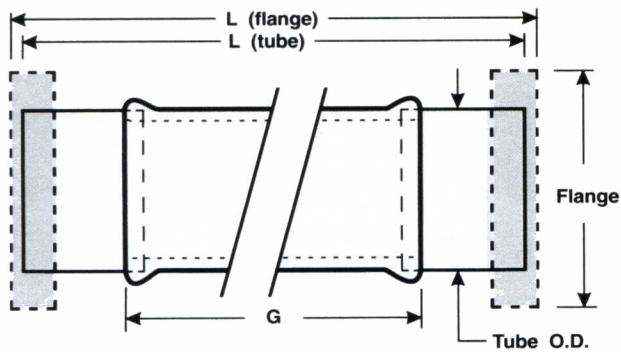
Viewports

Flange _____ H (tube) _____
 O.D. _____ H (flange) _____
 V _____



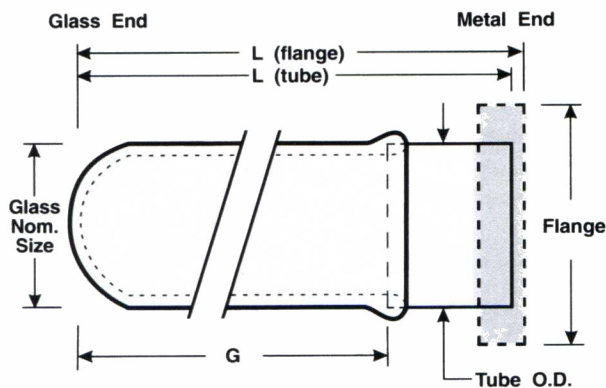
Tubular Seals/Adaptors - Open End

Flange _____ L (tube) _____
 Tube O.D. _____ L (flange) _____
 G _____ Glass Nom. _____



Double Ended Glass Adaptors

Flange _____ L (tube) _____
 Tube O.D. _____ L (flange) _____
 G _____



Closed End "Domed" Glass Adaptors

Flange _____ L (tube) _____
 Tube O.D. _____ L (flange) _____
 G _____ Glass Nom. _____